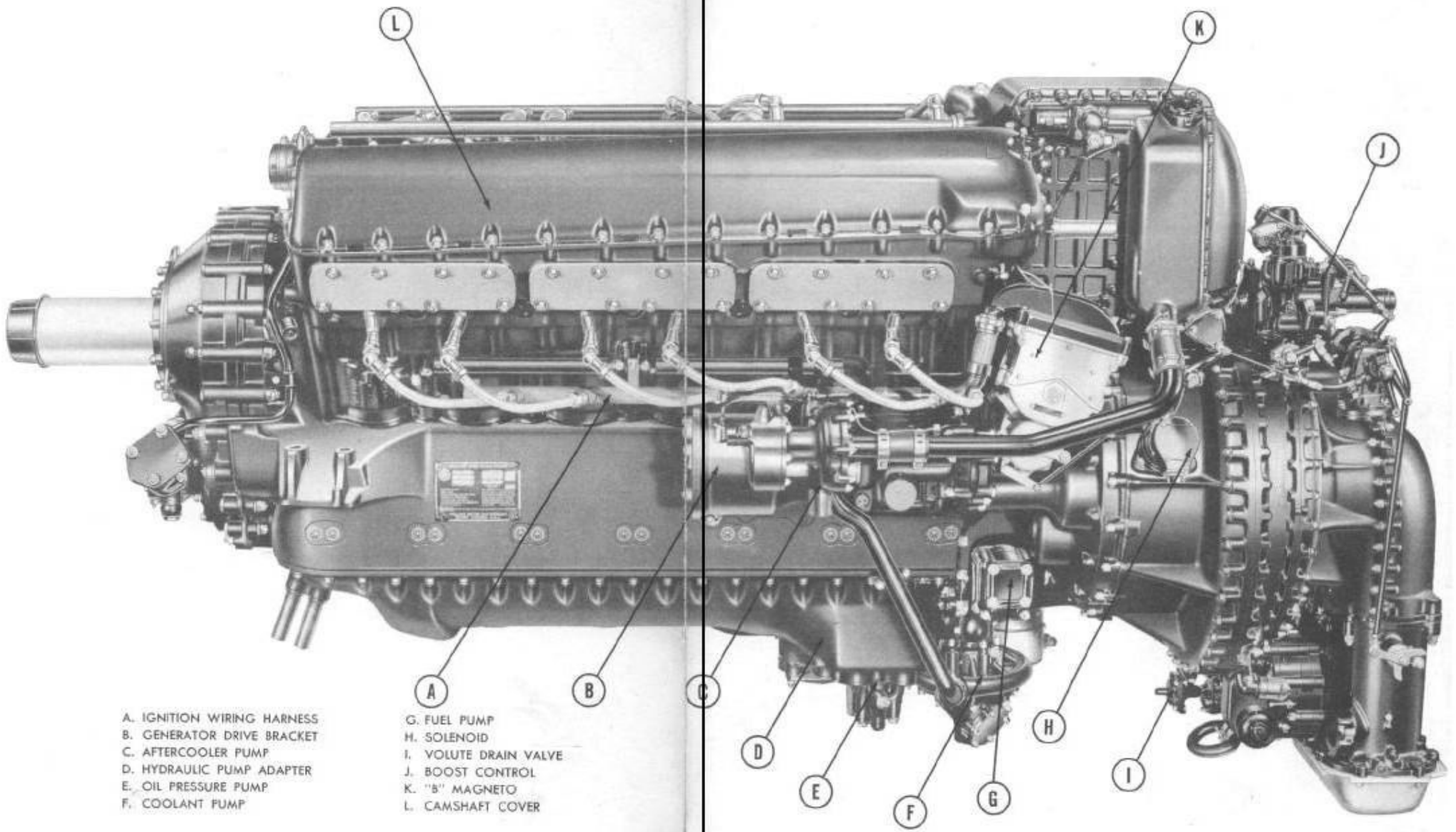
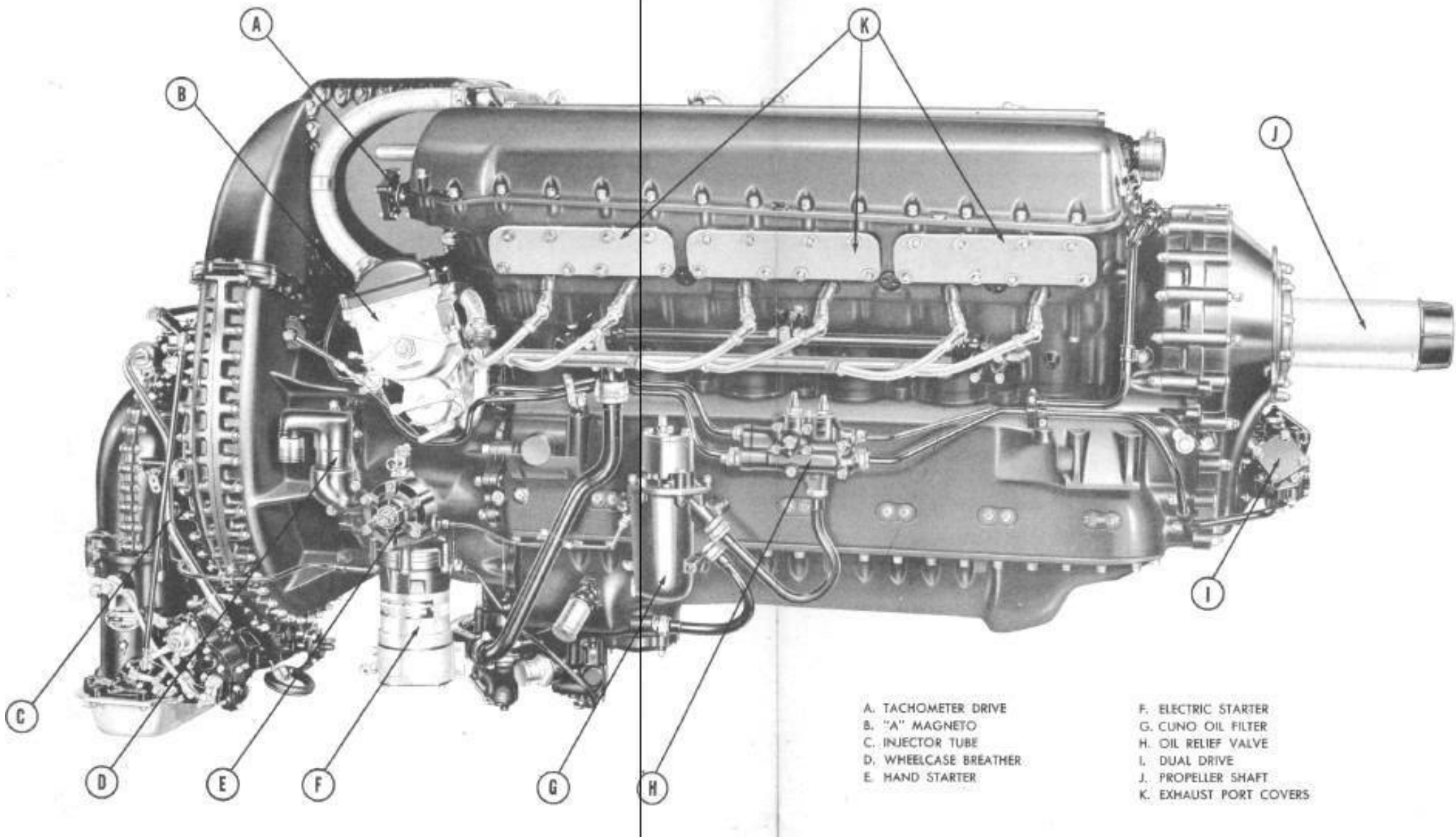


APPENDIX III:
V1650-3 External Views
(From the *Packard V1650-7 Overhaul Manual*)

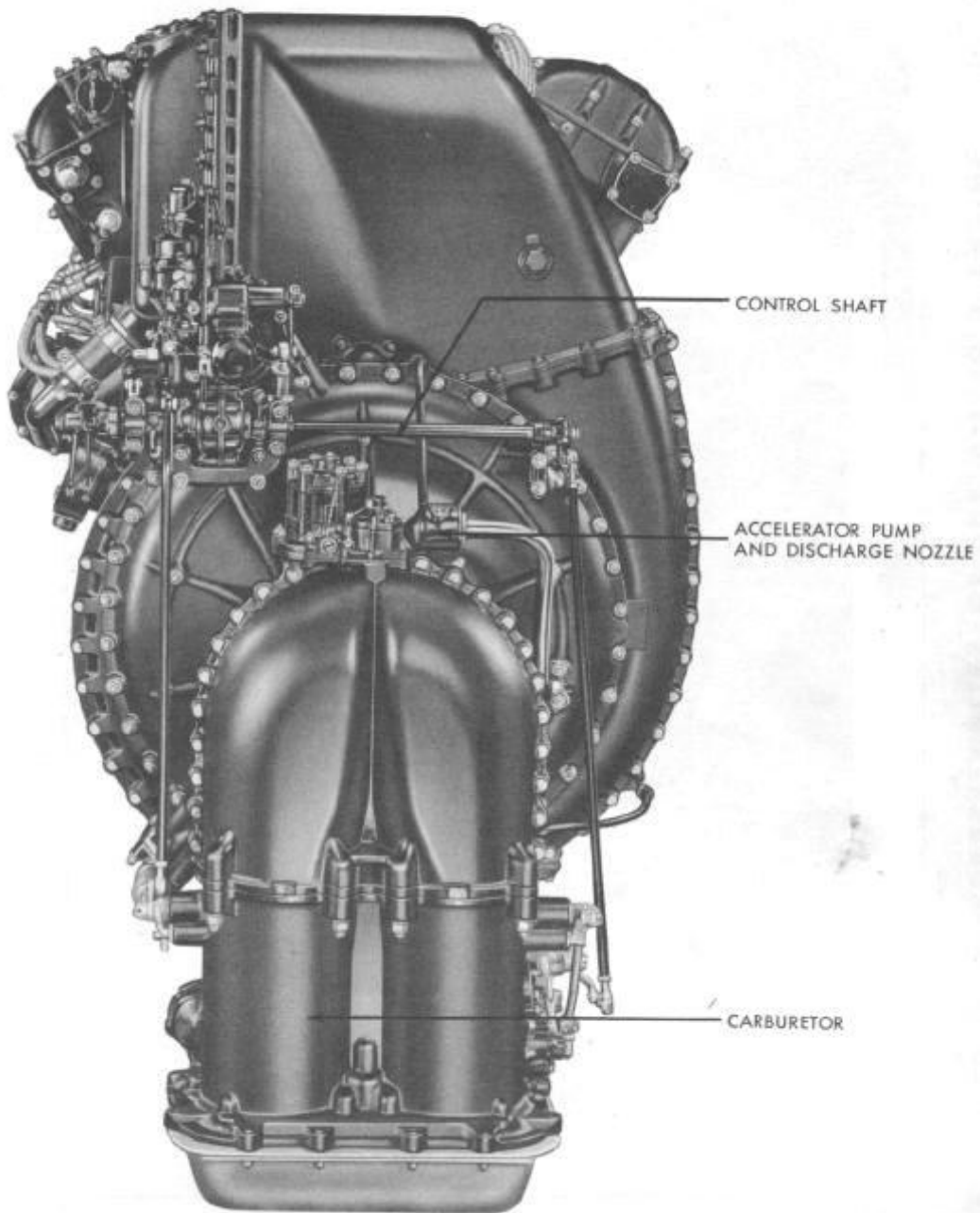
LEFT SIDE VIEW OF V-1650-3 ENGINE



RIGHT SIDE VIEW OF V-1650-3 ENGINE



REAR VIEW OF V-1650-3 ENGINE



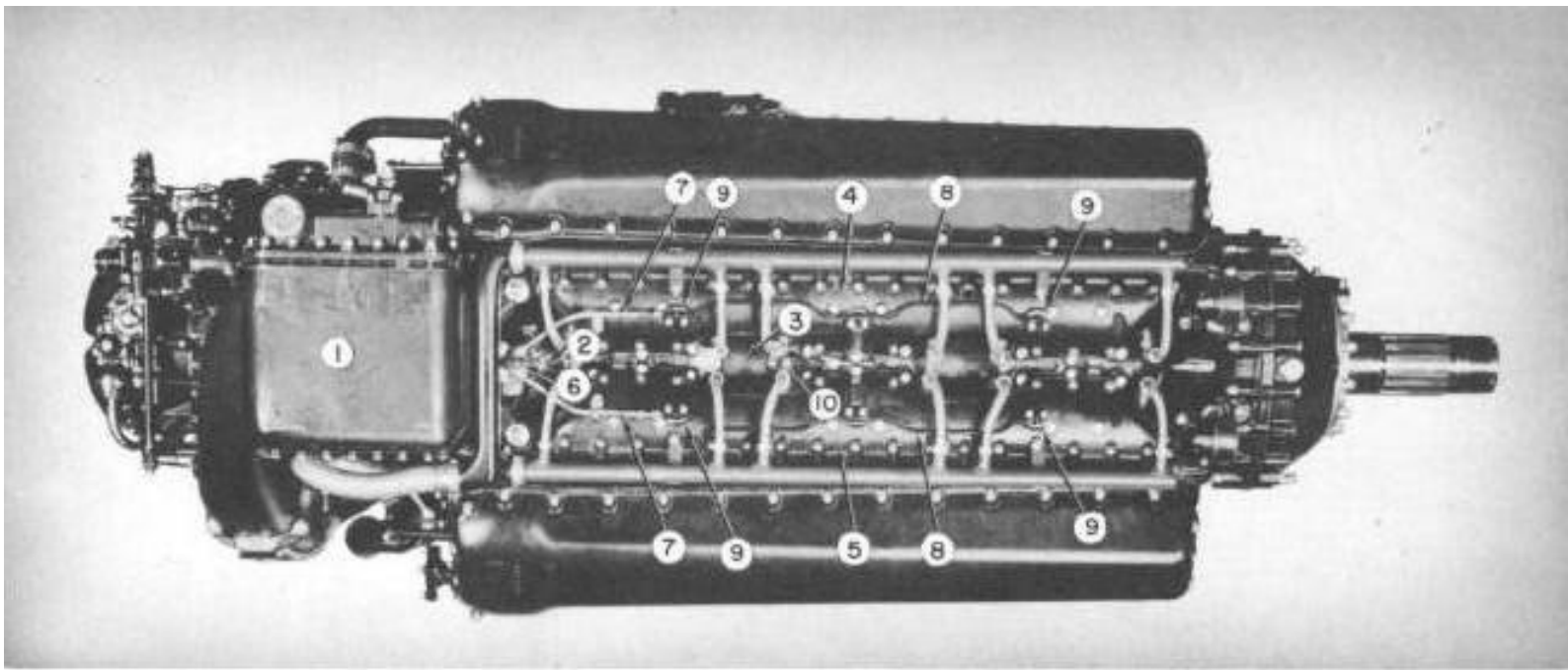
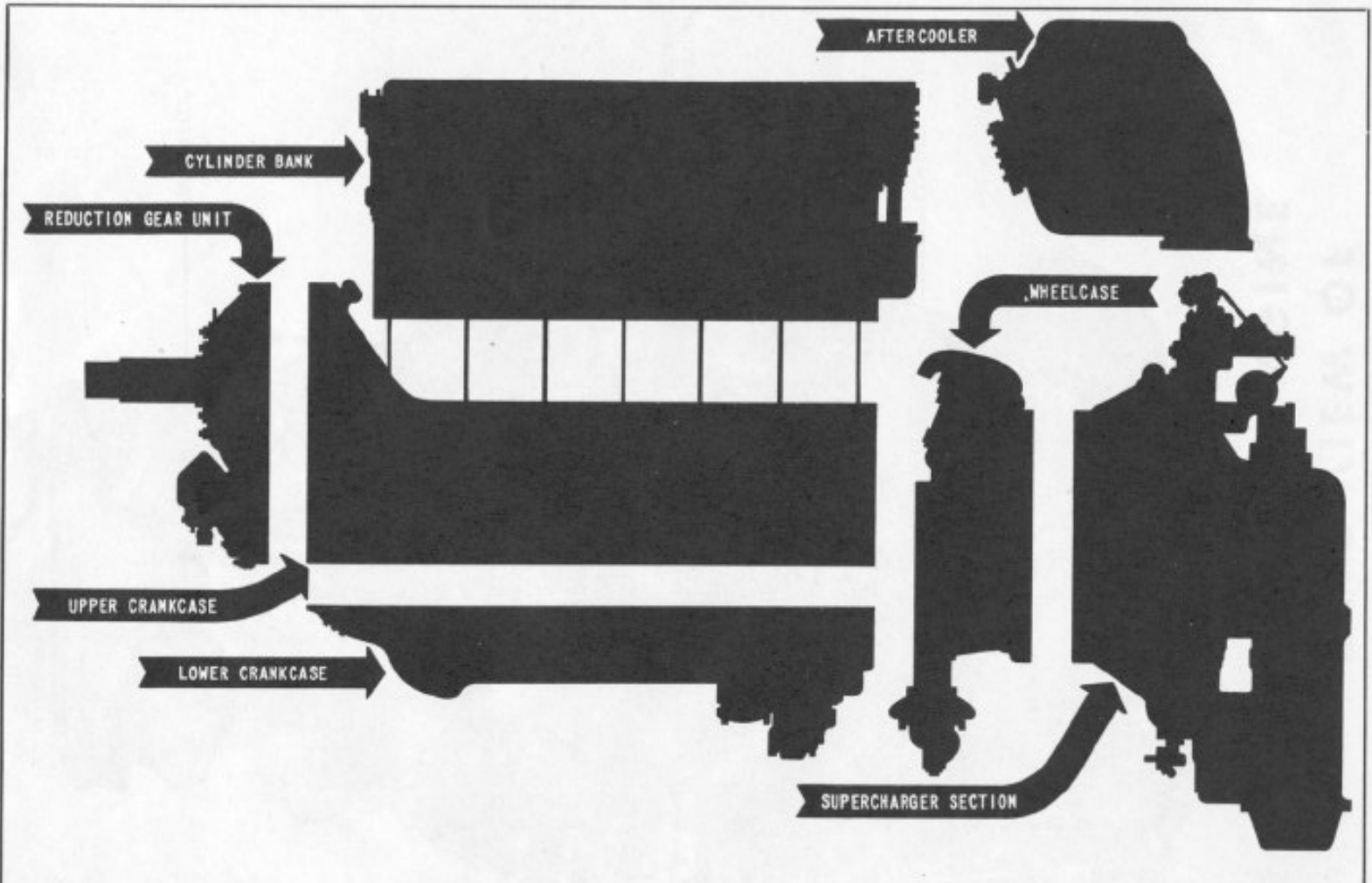


Figure NN—Top View of Engine Showing Aftercooler, Side and Center Manifolds, Priming Jets, and Connections

SUBASSEMBLIES OF THE V-1650-3 ENGINE



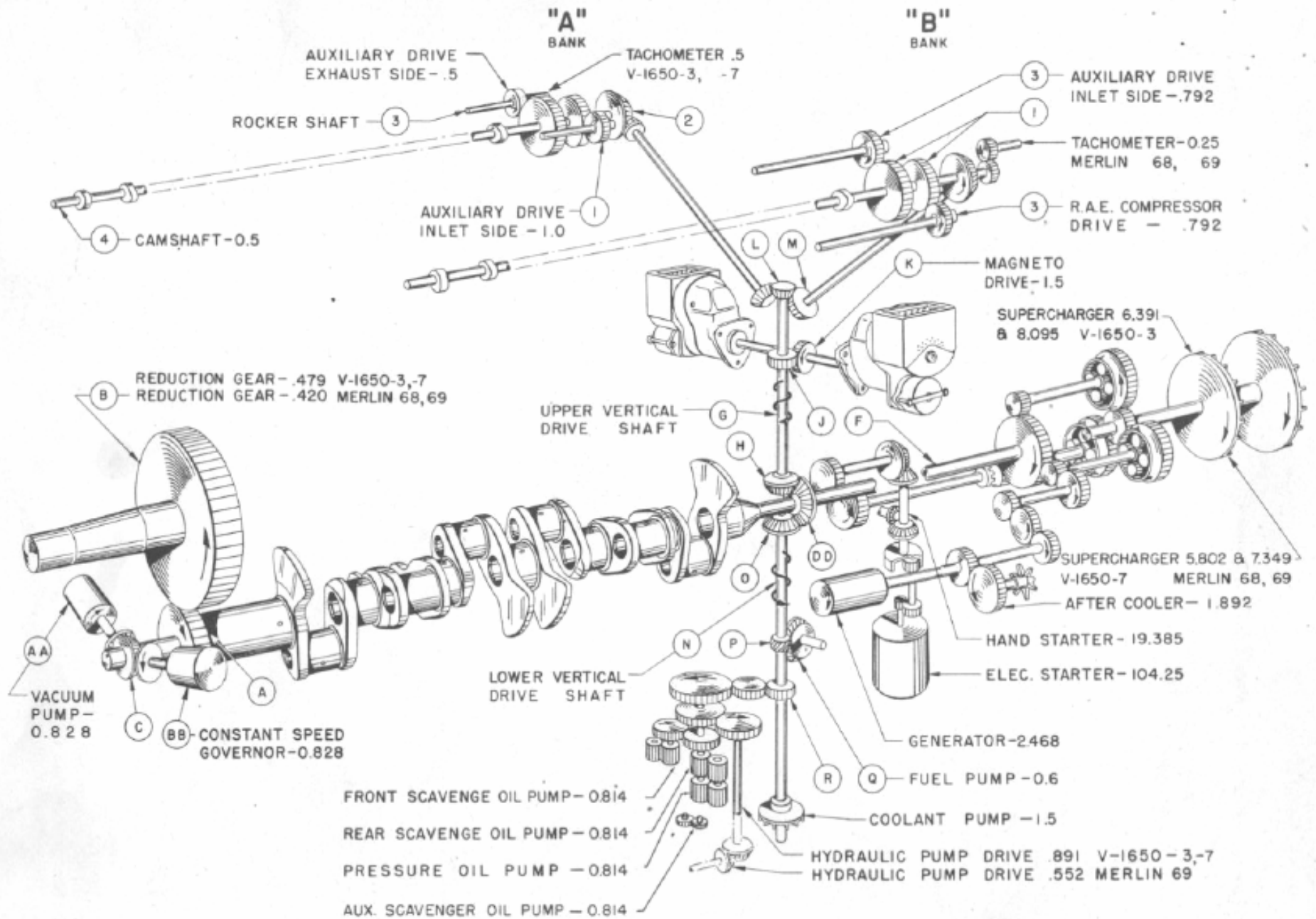
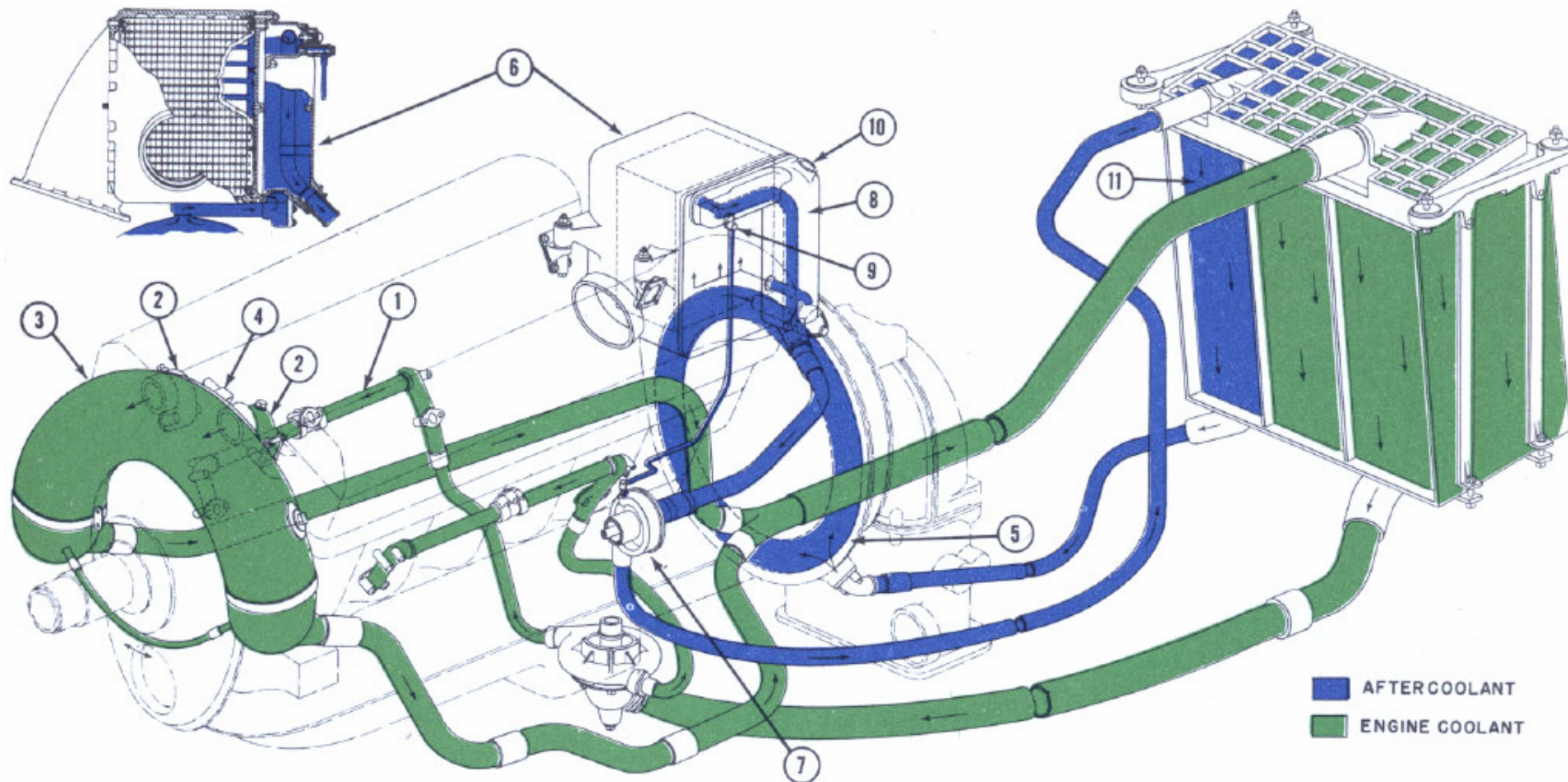


Figure Y—Schematic Diagram of Gear Train Showing Gear Ratios and Direction of Rotation



ENGINE COOLANT SYSTEM

1. CYLINDER BLOCK INLET PIPES
2. CYLINDER HEAD OUTLET CONNECTIONS
3. COOLANT HEADER TANK
4. HEADER TANK RELIEF VALVE

AFTERCOOLER SYSTEM

5. SUPERCHARGER INTERCOOLER
6. SUPERCHARGER AFTERCOOLER
7. AFTERCOOLER PUMP
8. AFTERCOOLER HEADER TANK
9. AFTERCOOLER HEADER TANK RELIEF VALVE
10. AFTERCOOLER HEADER TANK FILLER PLUG
11. AIRPLANE COOLANT RADIATOR

Figure Z —Schematic View of Engine and Supercharger Coolant Systems. Note Path of Coolant Through Each System and That Systems Are Separate